

**Bedliner Fitting Instructions for  
Ford Ranger 2022+ &  
Volkswagen Amarok 2022**

**K770**

**Part # 10058252**

**Instruction # 10058251**











**PRO-FORM**



**ARB**

**4X4 ACCESSORIES**

Bedliner Fitting Instructions for Ford Ranger 2022+ & Volkswagen Amarok 2023+


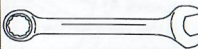








READ INSTRUCTIONS CAREFULLY BEFORE COMMENCING THIS ACTIVITY.

Kit Contents- Hardware				
No.	Item Description	Quantity	Image	Part Number
1	WASHER FLAT BLACK ZINC	2		10003896
2	DOME INCL WASHER & TOP	7		10003729
3	R-PVC EXTRUSION 1200MM	1		10056657
4	R-PVC EXTRUSION 1300MM (not included with front cap on variant)	1		10056709
5	SCREW PAN POZI M6X16MM BLK ZINC	2		10003892
6	SPACER SLF/FASTENING 3.2MM	7		10003743
7	TAPE D/SIDED TABS 30MMX70MM	5		10003731
8	BARBED CLIP NYLON BLK 6.4MM	4		10057918
9	UR BEDLINER	1		Please contact your dealer
10	TAILGATE 210 = FORD TAILGATE 213 = VW	1		Please contact your dealer

 = EXISTING PART  
 = NEW PART

Bedliner Fitting Instructions for Ford Ranger 2022+ & Volkswagen Amarok 2023+

READ INSTRUCTIONS CAREFULLY BEFORE COMMENCING THIS ACTIVITY.

Tools Required					
No.	Item Description	Image	No.	Item Description	Image
1	Torx Key Set		6	Metric Socket Set & Metric Spanner Set	
2	Philips Head Screwdriver		7	Oscillating Saw or Jig Saw	
3	Torque Wrench		8	Deburring Tool	
4	Cleaning Rags		9	Drill	
5	22mm Spade, Hole Saw or step drill		10	10mm Drill Bit	

Bedliner Fitting Instructions for Ford Ranger 2022+ & Volkswagen Amarok 2023+

READ INSTRUCTIONS CAREFULLY BEFORE COMMENCING THIS ACTIVITY.

<p><b>Step 1</b></p> <ul style="list-style-type: none"> <li>If the vehicle has power and light options within the rear tub, trim out the sections highlighted using the formed scribe marks on the B-surface (Detail A).</li> <li>If the vehicle has a ladder rack, trim out the front corners (LHS &amp; RHS) using the formed scribes on the B-surface (Detail B).</li> </ul>	<p>Detail A</p> <p>LHS</p> <p>Detail B</p> <p>RHS</p>
<p><b>Step 2</b></p> <ul style="list-style-type: none"> <li>If the vehicle has power and light options within the rear tub, trim out the sections highlighted using the formed scribe marks on the B-surface.</li> </ul>	<p>RHS</p>
<p><b>Step 3</b> ARB Canopy Trim</p> <ul style="list-style-type: none"> <li>Using the formed scribe marks on the B-Surface trim out the areas highlighted.</li> </ul>	

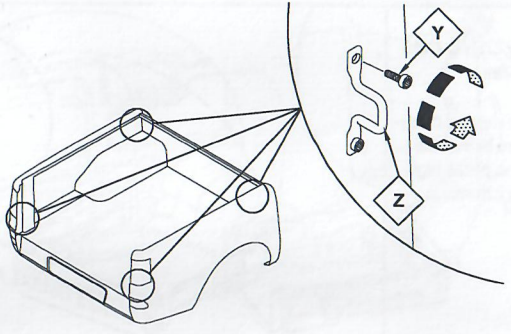
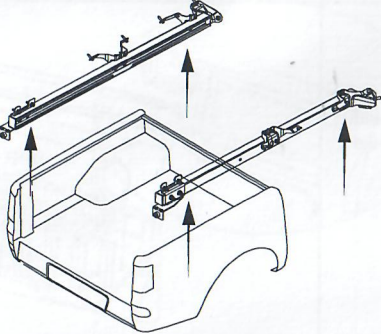
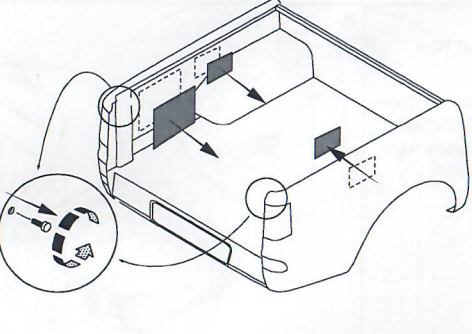
Bedliner Fitting Instructions for Ford Ranger 2022+ & Volkswagen Amarok 2023+

READ INSTRUCTIONS CAREFULLY BEFORE COMMENCING THIS ACTIVITY.

<p><b>Step 4</b> ARB Canopy Trim &amp; CMS Mount Rail Trim</p> <ul style="list-style-type: none"> <li>Using the formed cross-hair on the B-Surface drill out the areas highlighted to 22mm.</li> </ul>	<p>Ø 22MM</p>
<p><b>Step 5</b> ARB Canopy Trim</p> <ul style="list-style-type: none"> <li>Using the formed scribe on the B-Surface trim the top section of the tailgate.</li> </ul>	
<p><b>Step 6</b> CMS Mount Rail Trim</p> <ul style="list-style-type: none"> <li>Using the formed cross-hair on the B-Surface drill out the areas highlighted to 30mm.</li> </ul>	<p>Ø 30MM</p>

Bedliner Fitting Instructions for Ford Ranger 2022+ & Volkswagen Amarok 2023+

READ INSTRUCTIONS CAREFULLY BEFORE COMMENCING THIS ACTIVITY.

<p><b>Step 7</b></p> <ul style="list-style-type: none"> <li>Remove the front and rear factory tie hooks.</li> <li>Do not remove the central tie hooks.</li> <li>Retain the hardware for later installation.</li> </ul>	
<p><b>Step 8</b></p> <ul style="list-style-type: none"> <li>If the vehicle has the CMS mount rails or ladder rack installed, remove them before installing the bedliner.</li> <li>Retain the hardware for later installation.</li> </ul>	
<p><b>Step 9</b></p> <ul style="list-style-type: none"> <li>If the vehicle has internal lighting and power remove the panels and lights.</li> <li>Retain the hardware for later installation.</li> </ul> <p>Caution: Ensure wiring does not fall into vehicle side cavity.</p> <ul style="list-style-type: none"> <li>Remove the small screws from the top of the LHS &amp; RHS posts. Discard the factory screws.</li> </ul>	

Rev 3.0 - 14/06/2023

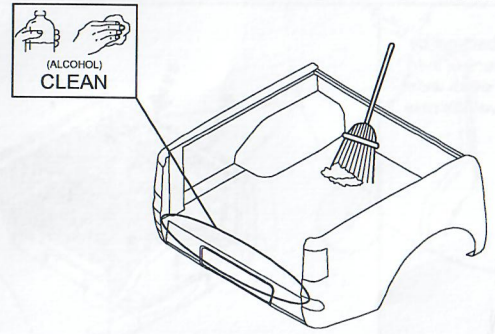
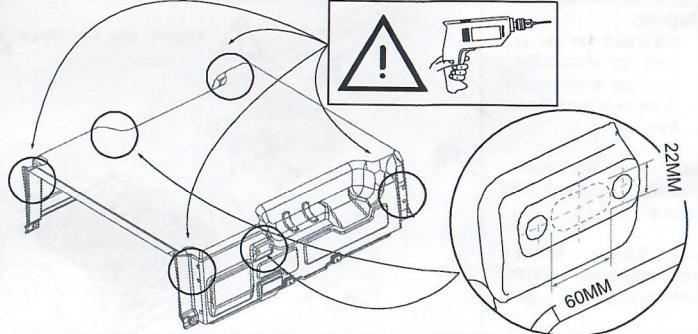
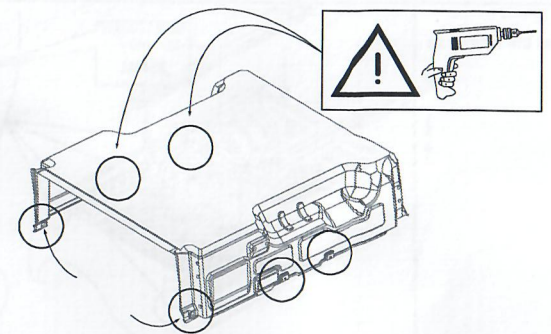
10058251

Page 6 of 11

In producing this document ARB NZ Ltd. has relied upon information and representations made by third party suppliers and to the extent permitted by law ARB NZ accepts no responsibility for any losses, faults or damage caused to the vehicle or accessory components that occur due to a failure to properly follow these instructions.

Bedliner Fitting Instructions for Ford Ranger 2022+ & Volkswagen Amarok 2023+

READ INSTRUCTIONS CAREFULLY BEFORE COMMENCING THIS ACTIVITY.

<p><b>Step 10</b></p> <ul style="list-style-type: none"> <li>Remove any debris from the vehicle tub.</li> <li>Clean the rear sill using alcohol.</li> </ul>	
<p><b>Step 11</b></p> <ul style="list-style-type: none"> <li>Drill out 8 X 12mm holes using the pre-formed cross-hairs on the front and rear posts.</li> <li>Deburr all holes.</li> <li>Cut out a 60X22mm slot between the marked crosshairs at the central pads.</li> <li>Deburr the slot.</li> </ul>	
<p><b>Step 12</b></p> <ul style="list-style-type: none"> <li>Drill out 6 X 10mm holes using the pre-formed cross-hairs.</li> <li>Deburr all holes.</li> </ul>	

Rev 3.0 - 14/06/2023

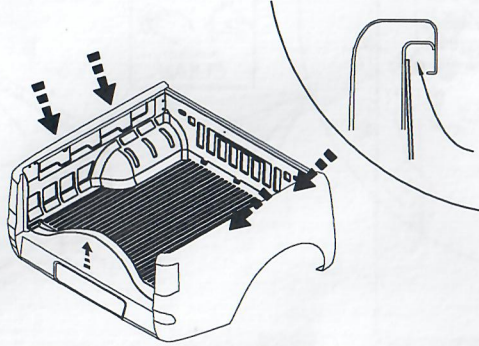
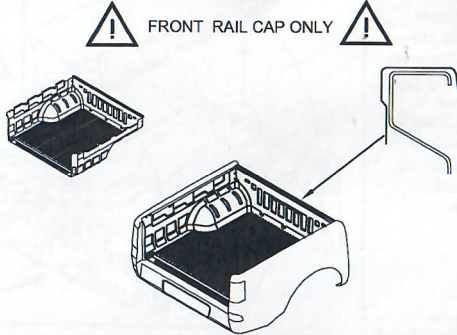
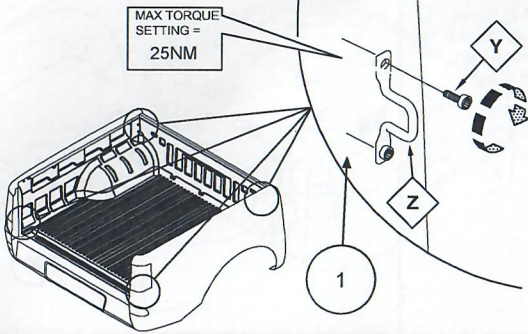
10058251

Page 7 of 11

In producing this document ARB NZ Ltd. has relied upon information and representations made by third party suppliers and to the extent permitted by law ARB NZ accepts no responsibility for any losses, faults or damage caused to the vehicle or accessory components that occur due to a failure to properly follow these instructions.

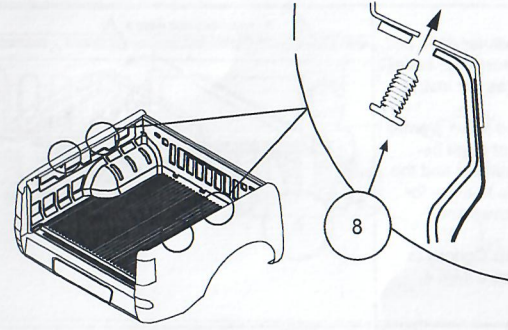
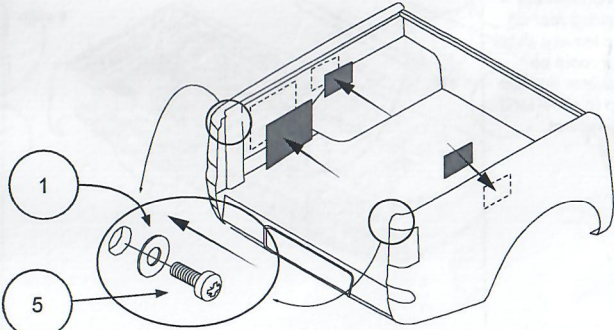
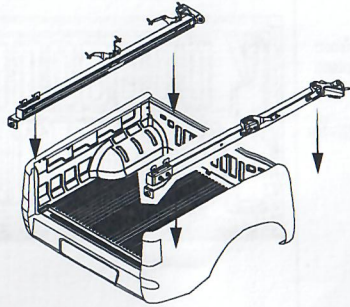
Bedliner Fitting Instructions for Ford Ranger 2022+ & Volkswagen Amarok 2023+

READ INSTRUCTIONS CAREFULLY BEFORE COMMENCING THIS ACTIVITY.

<p><b>Step 13</b></p> <ul style="list-style-type: none"> <li>Install the bedliner by lifting the centre, then sliding the sides underneath the vehicle rails.</li> </ul>	
<p><b>Step 14</b></p> <ul style="list-style-type: none"> <li>If the bedliner has a front cap, ensure the front cap is seated correctly over the vehicle front rail.</li> </ul> <p>Note 1: Front cap variant is not compatible with ARB Canopy.</p> <p>Note 2: If the vehicle has a ladder rack some additional trimming may be required.</p>	<p style="text-align: center;">! FRONT RAIL CAP ONLY !</p> 
<p><b>Step 15</b></p> <ul style="list-style-type: none"> <li>Re-install the factory tie hooks.</li> </ul>	<p>MAX TORQUE SETTING = 25NM</p> 

Bedliner Fitting Instructions for Ford Ranger 2022+ & Volkswagen Amarok 2023+

READ INSTRUCTIONS CAREFULLY BEFORE COMMENCING THIS ACTIVITY.

<p><b>Step 16</b></p> <ul style="list-style-type: none"> <li>Push item 8 X 4 through the liner and into the vehicle sheet metal to secure the liner sides.</li> </ul>	
<p><b>Step 17</b></p> <ul style="list-style-type: none"> <li>Reinstall the lights and power panels.</li> <li>Fasten the rear posts into position using item 1 &amp; 5.</li> </ul>	
<p><b>Step 18</b></p> <ul style="list-style-type: none"> <li>Reinstall CMS mounting rails or ladder rack.</li> </ul>	

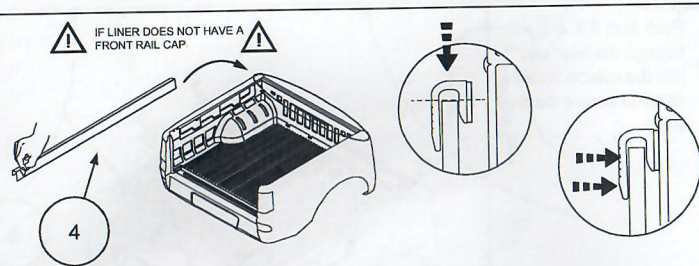
## Bedliner Fitting Instructions for Ford Ranger 2022+ & Volkswagen Amarok 2023+

READ INSTRUCTIONS CAREFULLY BEFORE COMMENCING THIS ACTIVITY.

### Step 19

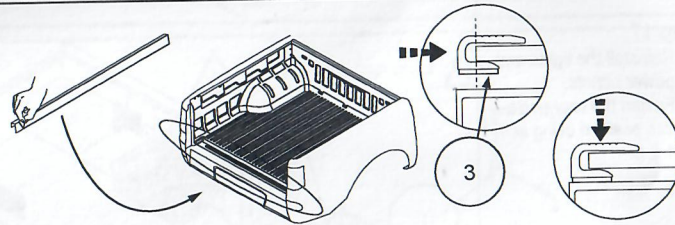
- If the bedliner does not have a front cap, install item (4) as per instruction.
- Ensure to leave a small amount of room between the liner and the PVC strip to allow for some movement.

Note: if a ARB Canopy is installed discard item 4.



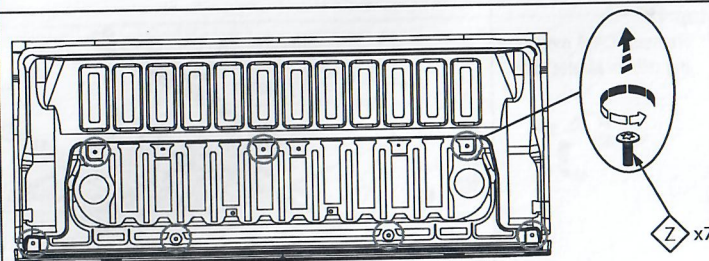
### Step 20

- Install PVC retaining strip (3) along rear sill.
- Ensure to leave a small amount of room between the liner and the PVC strip to allow for some movement.



### Step 21

- Unscrew the OE tailgate screw (Z) from the service cover plate on the highlighted locations ONLY.
- Keep 7 x Screws (Z) for re-installation.
- Clean all tailgate surfaces.

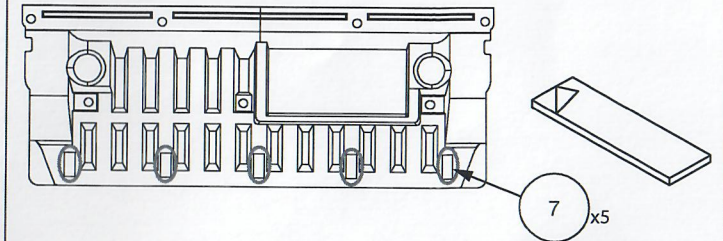


## Bedliner Fitting Instructions for Ford Ranger 2022+ & Volkswagen Amarok 2023+

READ INSTRUCTIONS CAREFULLY BEFORE COMMENCING THIS ACTIVITY.

### Step 22

- Apply 5 x double sided tape tabs (7) at shown location.
- Peel off all backing film on Double sided tape tabs (7).



### Step 23

- Align the holes on tailgate with the screw holes on the vehicle service cover plate.
- Gently place the tailgate on top of vehicle tailgate without applying any downward pressure.
- Loosely fit all OE screws (Z) through dome caps (2) & Retaining washer (6) as shown.
- Tighten all screws (Z) to 1.5Nm then apply firm pressure on the double sided taped area.
- Push evenly on the cap of the Dome caps (2), a positive click will be felt when the cap is secured correctly.

